

EXCEED

Light-emitting diode



Specification For Approval

Customer: _____

Description: **LED-LAMP**

Part number: **RL80-WH734D**

Date: **2004/10/20**

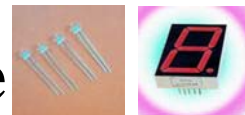
Approved By:

Prepared By:

Approval	Check	Design	Sales	
		Linda Zhan		

EXCEED

Light-emitting diode



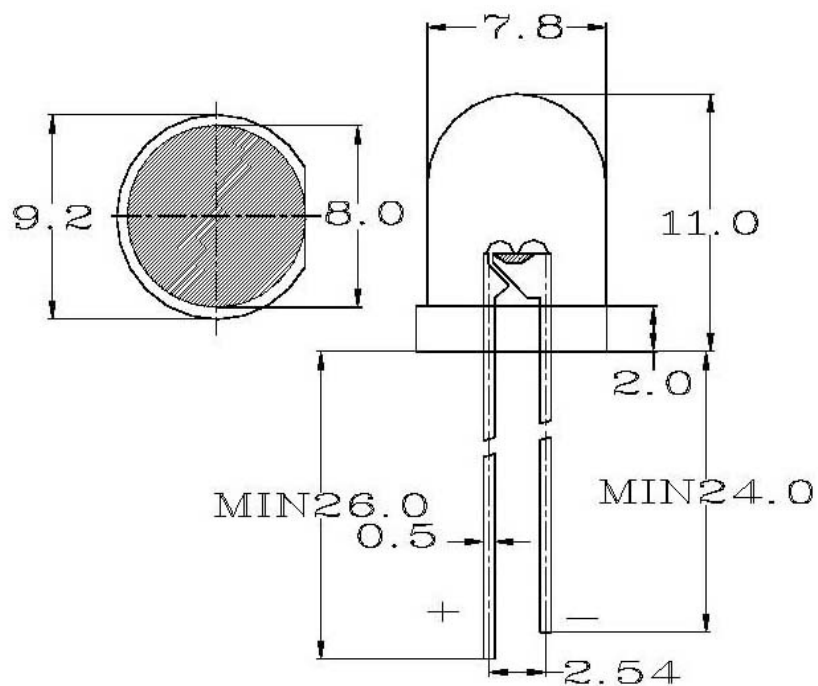
Part Number: RL80-WH734D

Features

1. Low power consumption.
2. High efficiency.
3. Versatile mounting on p.c board or panel.
4. I.C compatible/ low current requirement.

Package Dimensions

Unit □ mm



Selectio

NOTE: TOLERANCE ± 0.2 mm

Part Number	Lens color	Chip		
		Material	Emitted color	λ_p (nm)
RL80-WH734D	Diffuse	InGaN/GaN	WHITE	/

EXCEED PERSEVERANCE ELECTRONICS IND CO., LTD.

EXCEED

Light-emitting diode



TECHNICAL SPECIFICATION

Part Number: RL80-WH734D

Parameter	Symbol	MIN.	TYP.	MAX.	UNIT	TEST CONDITION
Forward Voltage	VF	3.0	3.4	3.8	V	If=20mA
Peak Wavelength	λ_p		/		nm	
Reverse Current	IR			40	μ A	VR=5V
Power dissipation	Pd		170		mW	
Luminous Intensity	IV	800	1000		mcd	If=20mA
Peak Forward Current	If(Peak)			100	mA	
Recommend Forward Current	If(Rec)		20		mA	
Full Viewing Angle	2 θ 1/2		150		deg	If=20mA

NOTE:

1.Luminous intensity is measured with a light sensor and fillister combination that approximates the CIE eye-response curve Tester: EG&G DR-2550.

2.IV classification code is marked on each packing bag. The IV base on line-on's bin classification. The IV guarantee should be add \pm 15%

3.Absolute maximum ratings: (Ta=25 \square)

4.Operating temperature : -40 \square TO 80 \square

5.Lead soldering: 260 \square for 5 seconds