

EXCEED

Light-emitting diode



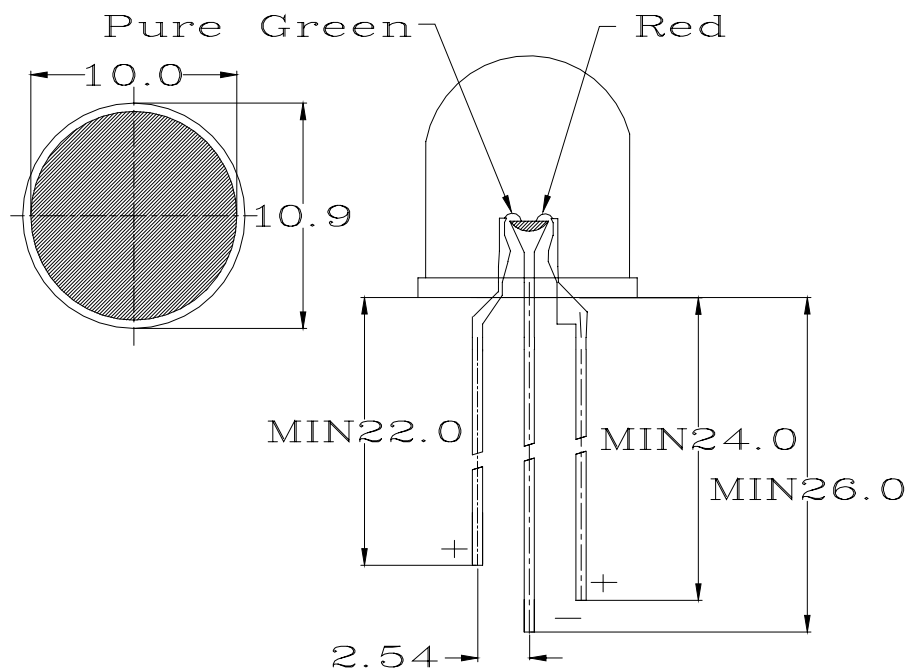
Part Number: RL81-UR2GH739F1

Features

1. Low power consumption.
2. High efficiency.
3. Versatile mounting on p.c board or panel.
4. I.C compatible/ low current requirement.

Package Dimensions

Unit □ mm



Sele

NOTE: TOLERANCE ± 0.2 mm

Part Number	Lens color	Chip		
		Material	Emitted color	λ_p (nm)
RL81-UR2GH739F1	Diffuse	GaAsP/GaP	Red	625-630
		InGaN/GaN	Pure Green	520-525

EXCEED PERSEVERANCE ELECTRONICS IND CO., LTD.

EXCEED

Light-emitting diode



TECHNICAL SPECIFICATION

Part Number: RL81-UR2GH739F1(RED)

Parameter	Symbol	MIN.	TYP.	MAX.	UNIT	TEST CONDITION
Forward Voltage	VF	1.7	2.0	2.8	V	If=20mA
Peak Wavelength	λ_p	625	630		nm	
Reverse Current	IR			40	μ A	VR=5V
Power dissipation	Pd			110	mW	
Luminous Intensity	IV	180	260		mcd	If=20mA
Peak Forward Current	If(Peak)			200	mA	
Recommend Forward Current	If(Rec)		20		mA	

NOTE:

1.Luminous intensity is measured with a light sensor and fillister combination that approximates the CIE eye-response curve Tester: EG&G DR-2550.

2.IV classification code is marked on each packing bag. The IV base on line-on's bin classification. The IV guarantee should be add $\pm 15\%$

3.Absolute maximum ratings: (Ta=25 \square)

4.Operating temperature : -40 \square TO 80 \square

5.Lead soldering: 260 \square for 5 seconds

EXCEED

Light-emitting diode



TECHNICAL SPECIFICATION

Part Number: RL81-UR2GH739F1(Pure Green)

Parameter	Symbol	MIN.	TYP.	MAX.	UNIT	TEST CONDITION
Forward Voltage	VF	3.0	3.4	3.8	V	If=20mA
Peak Wavelength	λ_p	520	525		nm	
Reverse Current	IR			40	μ A	VR=5V
Power dissipation	Pd			170	mW	
Luminous Intensity	IV	500	800		mcd	If=20mA
Peak Forward Current	If(Peak)			100	mA	
Recommend Forward Current	If(Rec)		20		mA	

NOTE:

1.Luminous intensity is measured with a light sensor and fillister combination that approximates the CIE eye-response curve Tester: EG&G DR-2550.

2.IV classification code is marked on each packing bag. The IV base on line-on's bin classification. The IV guarantee should be add $\pm 15\%$

3.Absolute maximum ratings: (Ta=25 \square)

4.Operating temperature : -40 \square TO 80 \square

5.Lead soldering: 260 \square for 5 seconds